



### 3.6.4- Orientations

The centrifugal fans are mounted according to 16 orientation positions (8 clockwise RD and 8 counter-clockwise LG).

The rotation direction is defined by an observer positioned on the transmission side (motor).

RD orientations, LG 180 and 225 are only possible with appropriate constructive adjustments (s. FIG. 8).

For the indirect transmission execution, standard motor positions are adopted as FIG. 9.

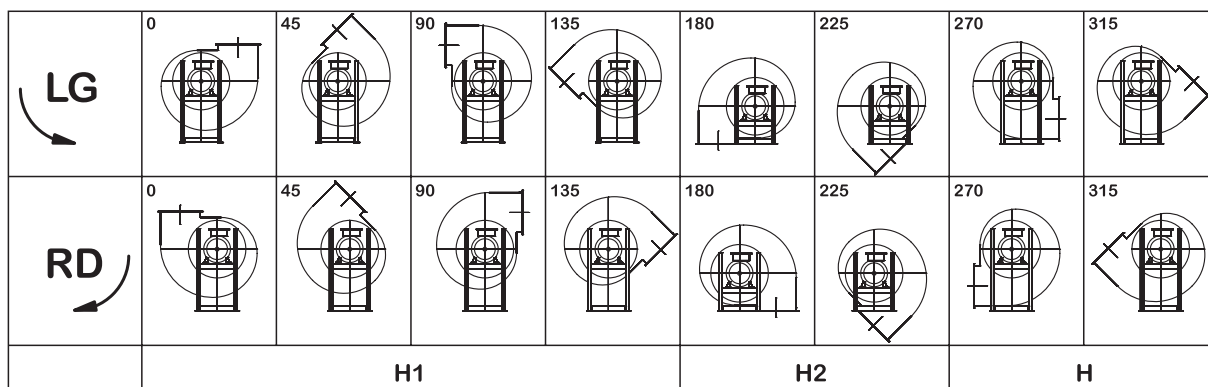


FIG. 8 (Orientation)

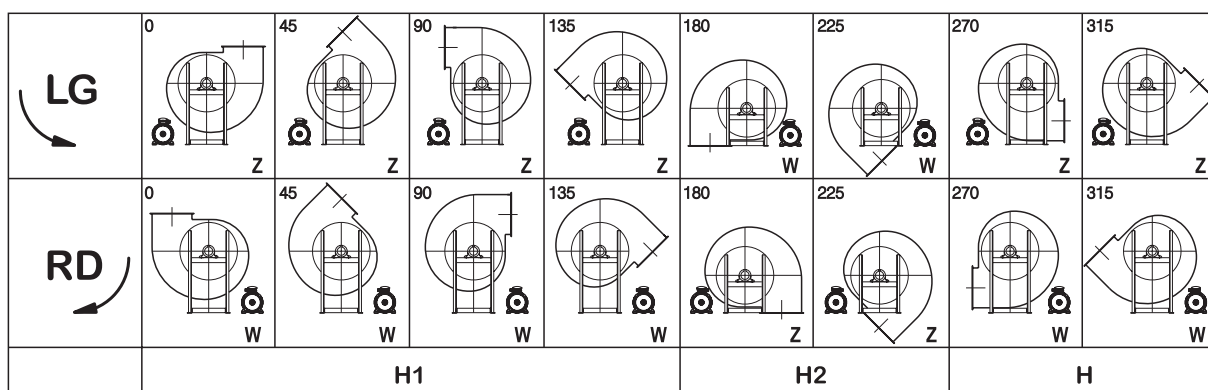


FIG. 9 (Orientation with standard motor positions)

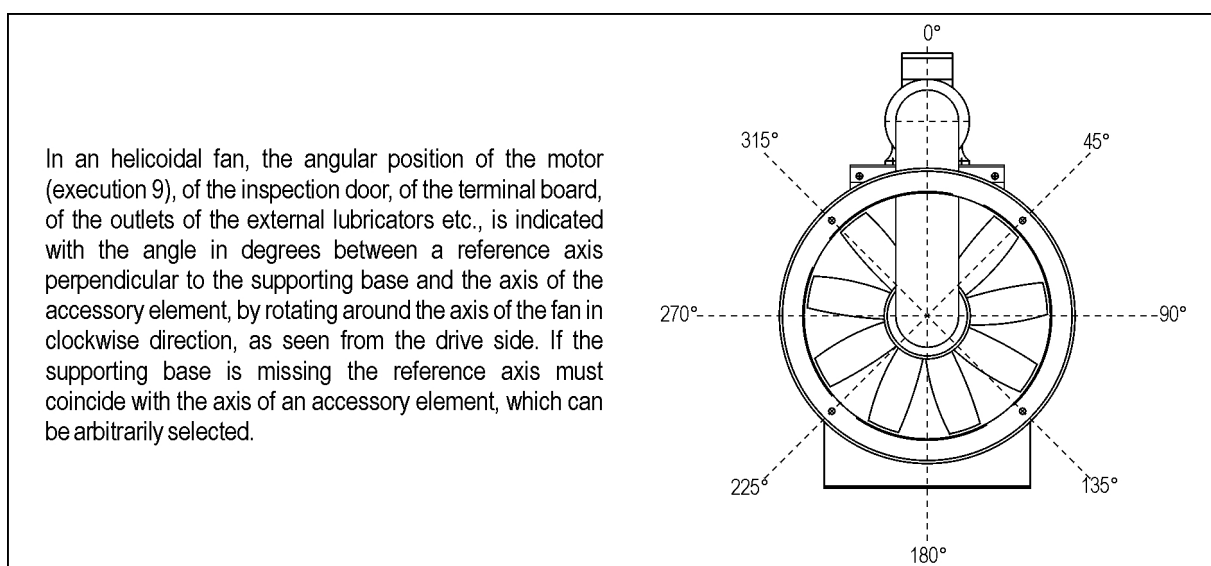


FIG. 10 (Motor position on axial fan)